

---

# Operation and Maintenance for manual operated roller blind system (Salire<sup>®</sup> 100)

---



# Table of Contents

<b>Chapter Description</b>
<b>Scope of Works</b>
<b>Materials schedule</b>
<b>Maintenance</b>
<b>Parts</b>

Operation and maintenance manual

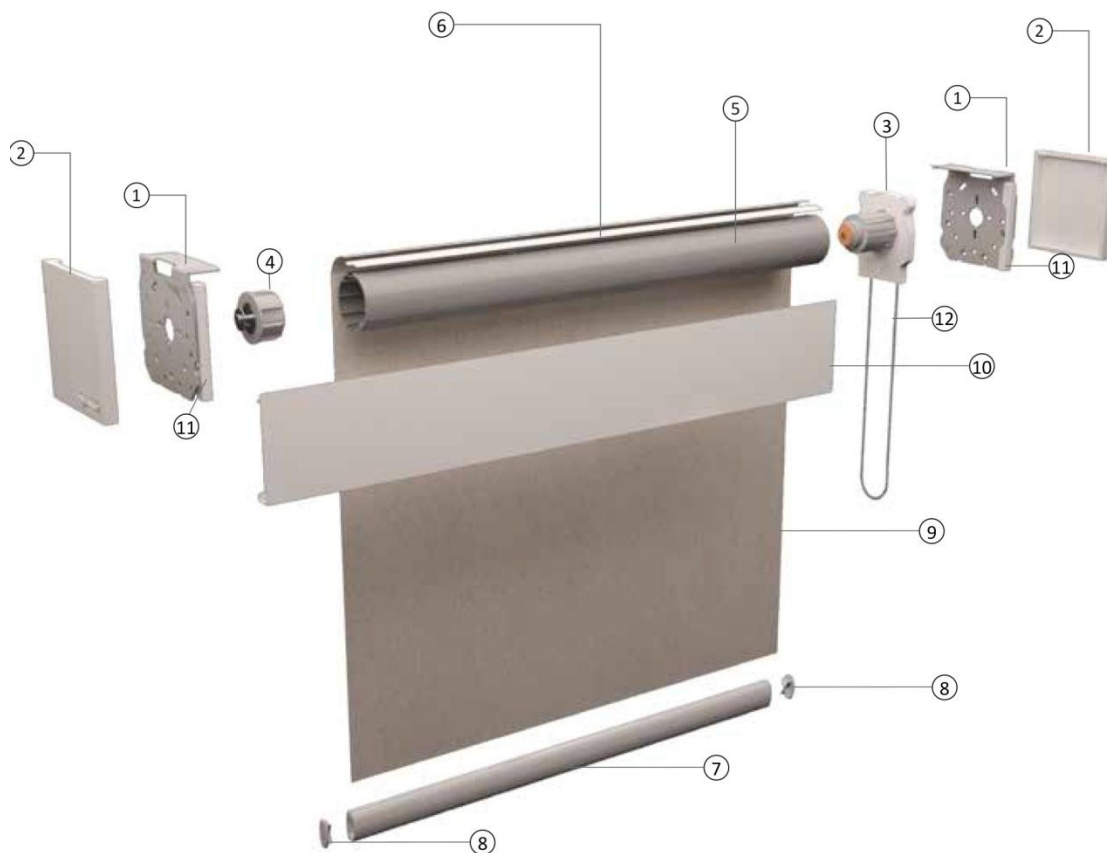
## Scope of works

### Manually operated roller blind system:

Operation and maintenance of a manual operated roller blind system

## Materials schedule

### Salire<sup>®</sup> 100



1. Mounting brackets	4. End plug	7. Hem bar	10. Optional fascia
2. Bracket end cap	5. Tube	8. End cap hem bar	11. Fascia support
3. Operating clutch	6. Mounting spline	9. Fabric	12. Ball chain

## Maintenance

---

### Roller system operation and maintenance guide

#### How to operate your Roller blind system....

It is important to operate your blind(s) correctly to ensure unnecessary damage or violation of the warranty terms.

Operation is simple and if you follow a few simple guidelines, your blind(s) should last well beyond their warranty period.

Use the ball chain to pull the blind to desired position. The blind will remain here until the ball chain is operated again.

#### Maintenance schedule

It is advisable to follow the maintenance schedule & checking procedure for the total functionality of the roller blind(s). It will ensure a better operation of your blind(s) and extend their lifetime.

#### Checking procedure

- Clean all the openings between blinds
- Check the brackets and screws of brackets
- Check the blind for any dust or dirt. If needed clean the fabric according to maintenance manual of the installed fabric.

**One cycle is from up position to down position and back to up position**

Guidelines for maintenance schedule	
More than 45 cycles per day	every 2 Months
Up to 45 cycles per day	every 3 Months
Up to 30 cycles per day	every 4 Months
Up to 15 cycles per day	every 6 Months

## Parts

---

### MANUALLY OPERATED ROLLER BLIND SYSTEM

1. Mounting brackets
2. Bracket end cap
3. Operating clutch
4. End plug
5. Tube
6. Mounting spline
7. Hem bar
8. End cap hem bar
9. Fabric
10. Optional fascia
11. Fascia support
12. Ball chain