



Hand Operated Curtain Track System

1080



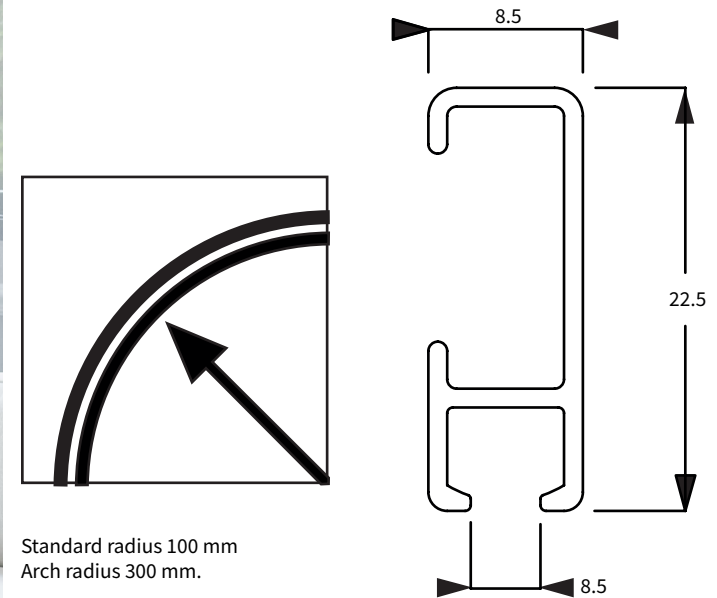
Hand Operated Curtain Track System 1080

Specification

- Versatile, Sturdy hand-operated curtain track for domestic or contract use For medium weight curtains
- Elegant, particularly suited for deep headings
- Standard colours: silver, white, gold, antique bronze, black and cream.
- Gold brown brackets are available, otherwise use white
- Easy ceiling or wall fixing or can be suspended from hanger rods
- Profile also be used as picture hanging system and for pelmet/valance rails
- Can be bent

Specification

Profile, Bending and Specification Information



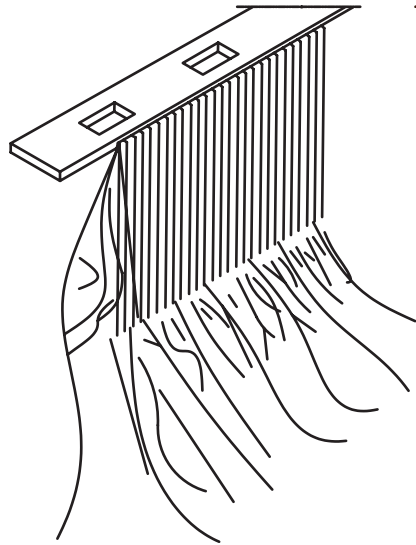
Standard radius is recommended for optimal operation.
Minimum possible radius is 60 mm.

Silent Gliss 1080 curtain track, hand drawn, anodised aluminium complete with gliders at 16/m, 2 endcover/stops per length. Face fixed with nylon bracket each screwed to timber/plugged and screwed to blockwork/concrete at 600mm centres.

Bronze, gold and silver profile anodised aluminium. All other coloured track, powder coated finish.

Suitable Headers

Pencil Pleat



Pencil pleat curtains are a classic. Folds of fabric are tightly gathered to create a semi-cylindrical heading that resembles a line of pencils.

Pencil pleat curtains have a very traditional feel, so tend to fit in perfectly with more classic interior styles and in cottages or older properties. Pencil pleat curtains are very popular in living rooms, dining rooms and bedrooms.

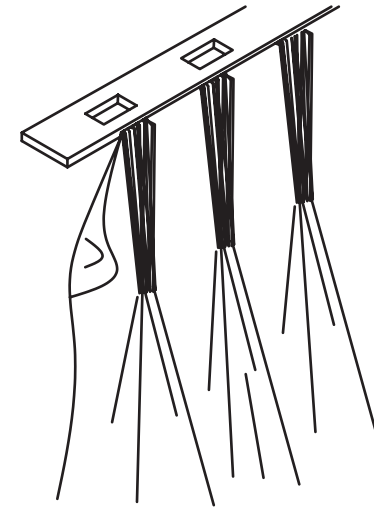
Fullness

Minimum
200%

Standard
250%

Maximum
300%

Pinch Pleat



Pinch pleat draperies has been the most popular header style for decades due to their high insulation value as a result of the additional fabric within the treatment.

A pinch pleat drapery has an elegant look yet the formal style for a variety of fullness and can be used with most track systems. The drapery fullness is “pleated” into the drapery by creating a three layered fold that is stitched together approx. 10 mm below the “fingers”.

Fullness

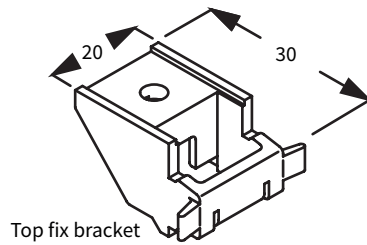
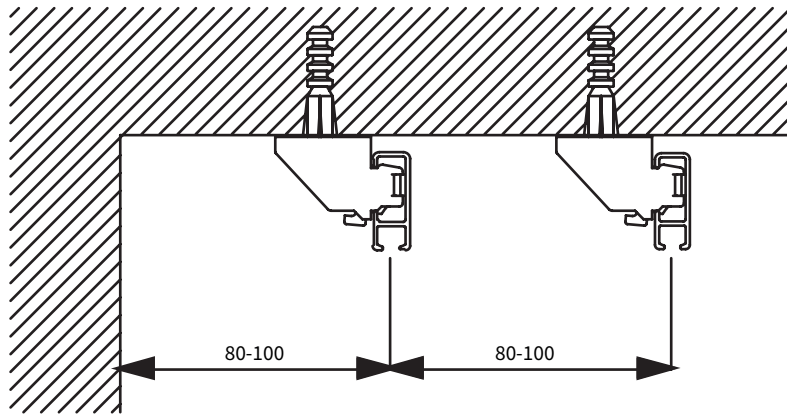
Minimum
250%

Standard
300%

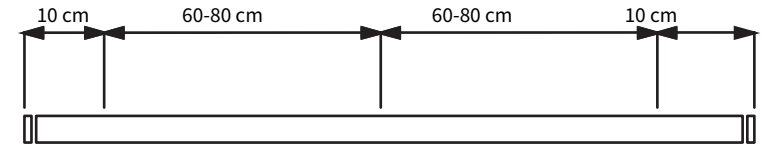
Maximum
350%



Fitting Information



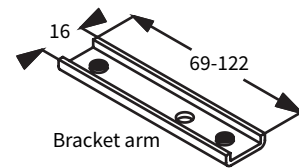
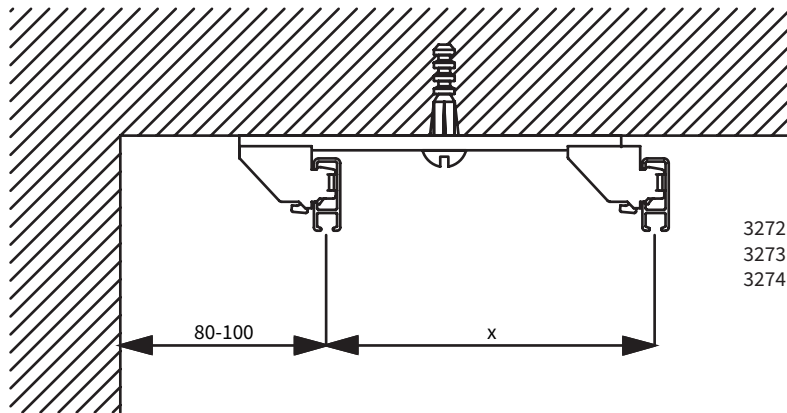
Bracket positioning and fixing with universal brackets



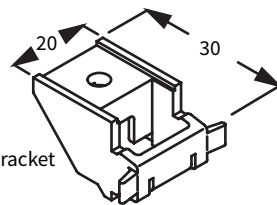
The fixing distances are meant as a guide only: they may vary in practice depending on surface and curtain weight.



Installation: Roll track onto bracket in direction indicated
Removal: 1. Press to release 2. Rotate forward for removal



X (mm)
3272
3273
3274



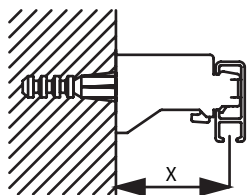
Ceiling fix with bracket and bracket arms

The final distances may be outside of the recommendations above depending on curtain heading, make-up and any obstructions. Batten thickness depends on length of screw.

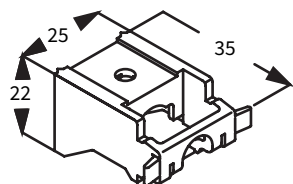


Wall Fixing

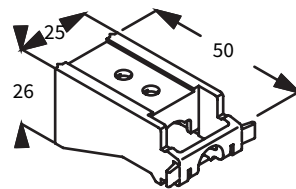
Wall fix with universal brackets



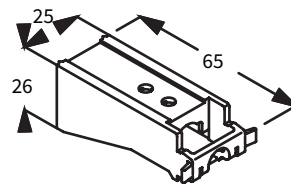
	X (mm)
3630	33
3655	48
3660	63



Bracket

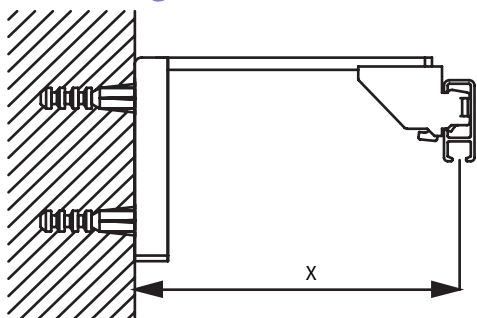


Long universal bracket

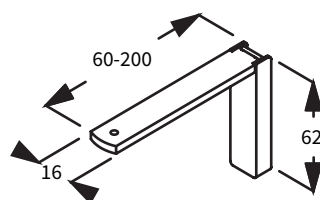


Extra long universal bracket

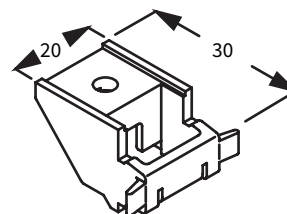
Wall fitting with Smart Fix and bracket



	X (mm)
11200	70
11201	90
11202	110
11203	130
11204	160
11205	210



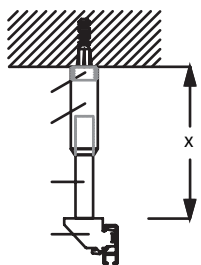
Smart Fix (60-200 mm)



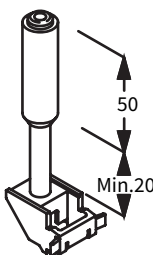
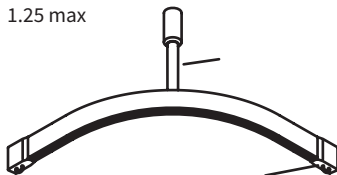
Top fix bracket

Brackets feature thread for screw M4x8 for fixing bracket

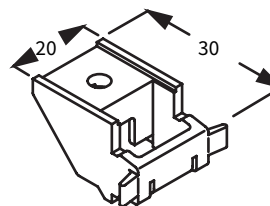
Suspended fix with bracket and hanger rod system



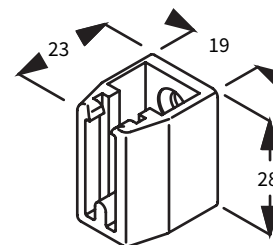
X (mm)
1.25 max



Hanger assembly (complete)



Top fix bracket



Wall support





Scan code to view on
Smartphone or Tablet device

UNITED KINGDOM
Euro Systems UK Ltd. 3 Church St,
Kidderminster, Worcestershire,
DY10 2AD
UK

info@eurosystems.co.uk
www.eurosystems.co.uk

Tel: +44 190 260 7111

 **Euro Systems[®]**
Design with Passion

