



# Hand Operated Curtain Track System

# 3840W





Hand Operated Curtain Track System 3840W

## Specification

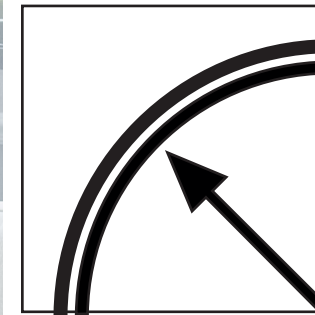
- For use with Wave Standard and Wave XL curtain heading systems
- Purpose designed for ceiling fixing - neat attractive track
- Ideal for contract or domestic use
- Same appearance from both sides
- Standard colours: silver, white, gold, antique bronze, black
- For medium weight curtains
- Can be bent



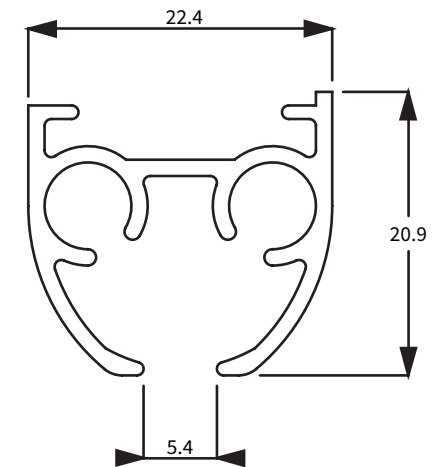


## Specification

### Profile, Bending and Specification Information



Standard radius 200 mm  
Wave XL: Min. radius 500 mm



Silent Gliss 3840W curtain track, hand drawn, anodised aluminium, assembled complete with wave glider-cord. Top fix with special fixing clamp/special fixing bracket at max 600 mm.

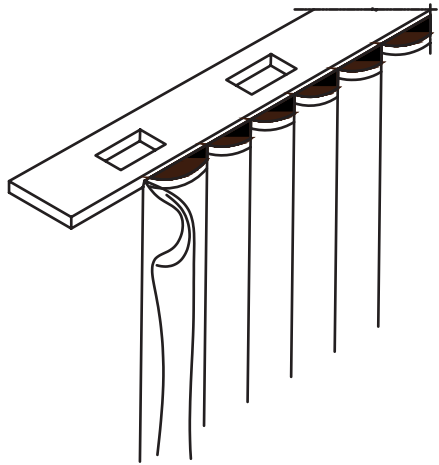




Hand Operated Curtain Track System 3840W

## Suitable Headers

### Wave



Wave headings need a special track and are ideal for a contemporary home. It is a stylish header which gives a so rippling effect. The header is widely used in hospitality and healthcare applications, where a residential look is wanted.

Panels snap to carriers and folds are identically spaced without flat drapery areas. This also creates a unified look from both inside and outside the room.

**Fullness**

**Minimum**  
**180%**

**Standard**  
**220%**

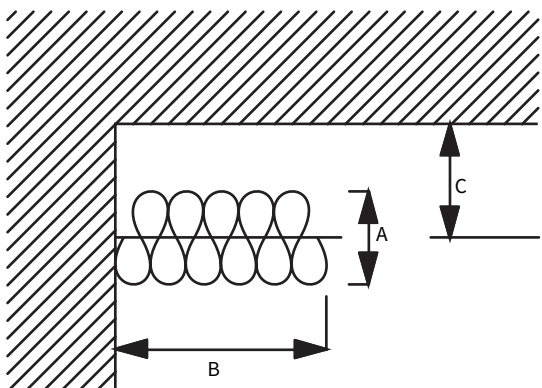
**Maximum**  
**250%**





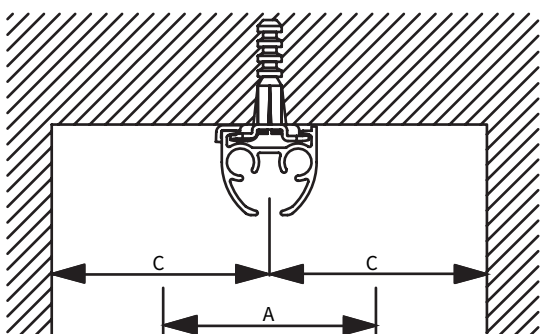
# How to Measure

## Stack depth Wave Standard



Glider-cord spacing	Curtain hook spacing	Approx. curtain fullness	Stack dept (a)	Stack width (b)	Min distance (c)
6	10	2.1	10	23 per metre of track + endpiece	8
6	12	2.3	12	23 per metre of track + endpiece	9
8	14	2.1	14	18 per metre of track + endpiece	10
8	16	2.3	16	18 per metre of track + endpiece	11

## Wave Standard with Roller Gliders



Glider-cord spacing	Curtain hook spacing	Approx. curtain fullness	Stack dept (a)	Stack width (b)	Min distance (c)
8	14	2.1	14	21 per metre of track + endpiece	10
8	16	2.3	16	23 per metre of track + endpiece	11

a = Stack depth  
b = Stack size  
c = Min. distance

(Dimensions in cm)

Note: Minimum distance (c) includes a standard 3 cm clearance (front and back).

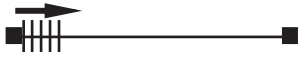






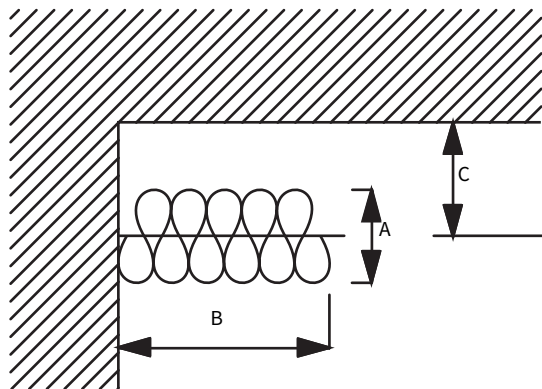
Hand Operated Curtain Track System 3840W

# How to Measure

## Stack Size calculation Wave XL

System width		77-107	108-143	144-179	180-215	216-251	252-287	288-323	324-359	360-395
	b	28	33	38	43	48	53	58	63	68
System width		396-431	432-468	469-503	504-539	540-575	576-600			
	b	73	78	83	88	93	98	103		
System width		154-217	218-289	290-361	362-433	434-505	506-577	578-600		
	b	28	33	38	43	48	53	58		

(Dimensions in cm)



a = Stack depth  
 b = Stack size  
 c = Min. distance

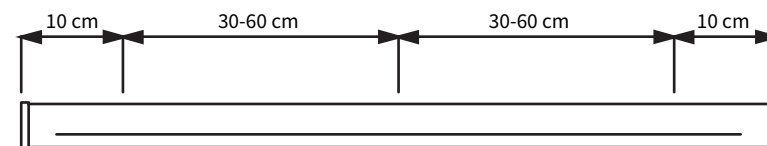




## Hand Operated Curtain Track System 3840W

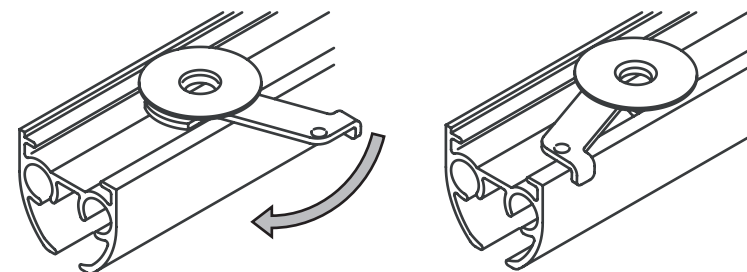
## Fitting Information

## Bracket and profile positioning



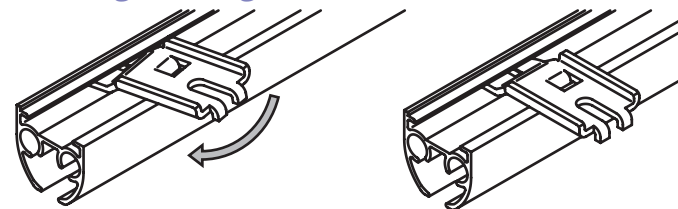
These fixing distances are a guide only, they may vary in practice depending on surface and curtain weight.

## Handling of fixing clamp



Higher edge of profile to the roomside. Clamp arm to the window.

## Handling of fixing bracket

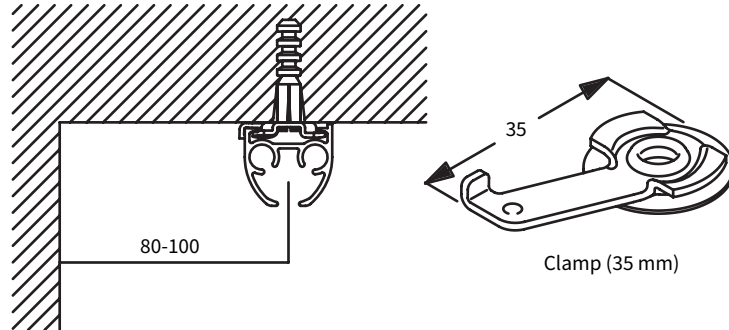


Higher edge of profile to the roomside.



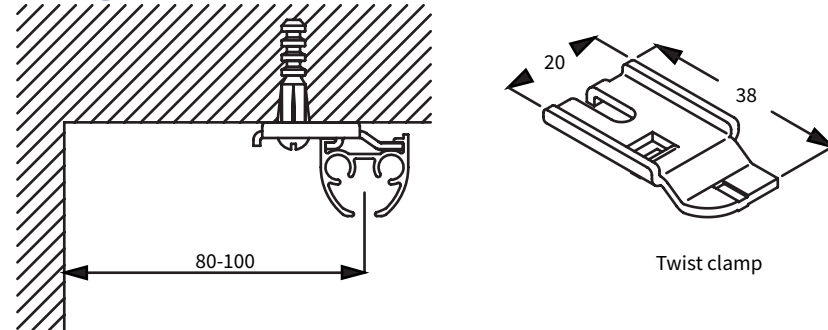
# Fitting Options

## Ceiling fix with clamp



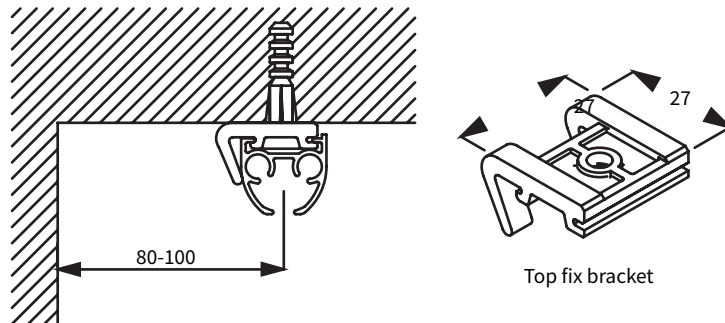
Min. distance from wall when using Wave XL: 220 mm.

## Ceiling fix with clamp



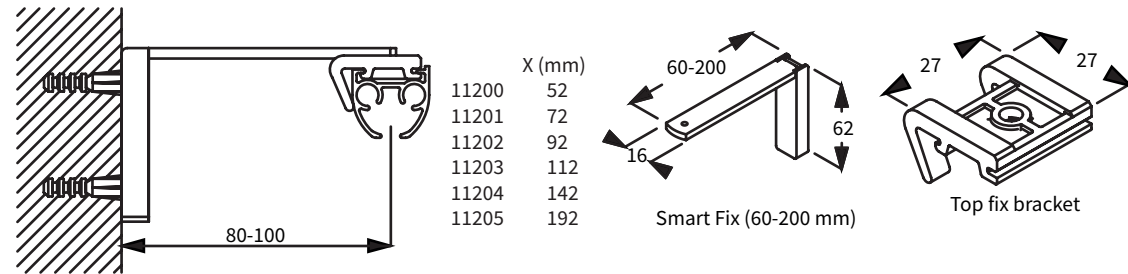
Min. distance from wall when using Wave XL: 220 mm.

## Ceiling fix with bracket



Min. distance from wall when using Wave XL: 220 mm.

## Wall fitting with Smart Fix and bracket



Brackets feature thread for screw (M4x8) for fixing bracket





Scan code to view on  
Smartphone or Tablet device

**UNITED KINGDOM**  
Euro Systems UK Ltd. 3 Church St,  
Kidderminster, Worcestershire,  
DY10 2AD  
UK

[info@eurosystems.co.uk](mailto:info@eurosystems.co.uk)  
[www.eurosystems.co.uk](http://www.eurosystems.co.uk)

Tel: +44 190 260 7111

 **Euro Systems<sup>®</sup>**  
*Design with Passion*

