

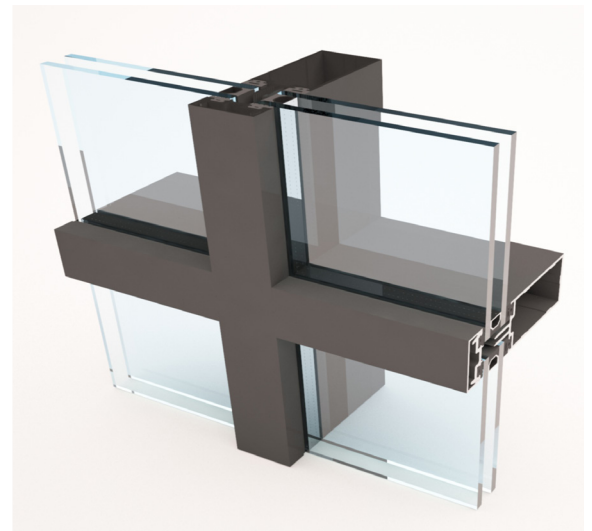


### **Product Features:**

ES 40 Curtain Wall System consists of 40 mm wide mullions and transoms suitable for sloped and vertical facades. Various cover caps are available for this system. The smallest sight line can be achieved using a 40 mm wide cap.

ES 40 is a slimmest curtain wall system in elevation wise to provide maximum external view. Euro Systems specially designed the system to increase the panoramic view.

Euro Systems has variable depth in ES 40 curtain wall system subject to project requirement as per design criteria.



### Glazing

The system is glazed from the outside. Glass shall conform to the requirements of BS 6262 for thickness and type, in terms of wind resistance, safety and security.

### Drainage

The system is mullion drained, achieved by meeting the requirements of “Ventilated and drained glazing system” as specified in BS standards.

### Materials

The system is constructed from extruded aluminium profiles, using alloy 6063 complying with the requirements of BS 1474.

### Gasket

EPDM, a synthetic rubber gasket provided between the glass panel with pressure plate and external cover cap assures water, air and wind resistance.

### Thermal Insulation

Reinforced up to  $U_{cw} = 1.6 \text{ W/m}^2\text{K}$ . The lower the U-value is, the better the thermal insulation.

### Water Tightness

Resistant to heavy rain in accordance with EN 12154:2000 - Class RE 750

### Air Permeability

Complying with EN 12152:2002 - Class AE 750

### Wind Resistance

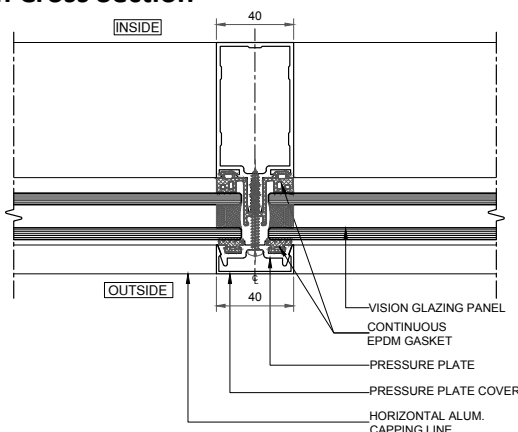
Complying with BS EN 13116 – 1000 Pa to 2000 Pa, dependant upon correct mullion and transom selection to suit span and spacing.

### Size Limitations

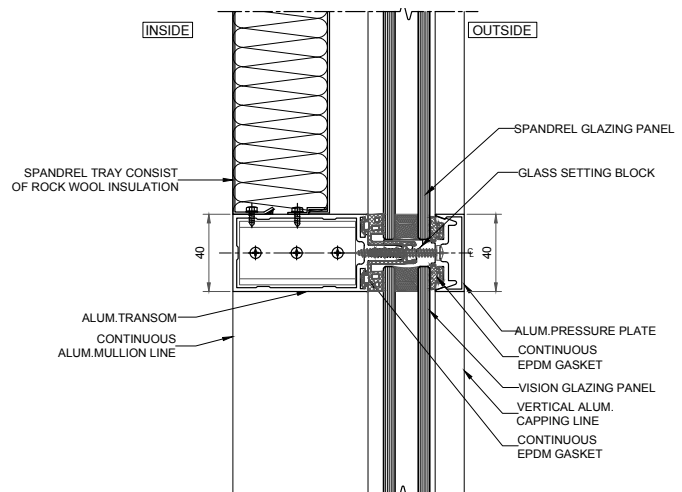
The size limitation of the system depends mainly on the mullion/transom members and mullions can be reinforced by concealed steel insert to suit the span, spacing and wind loads, which are specific for each individual project.

### System Cross Section

#### ES 40



TYPICAL MULLION SECTION



TYPICAL TRANSOM SECTION




Scan code to view on  
Smartphone or Tablet device

**UNITED KINGDOM**  
Unit 11 Chancel Industrial park  
Newhall Street, Willenhall  
WV13 1NX  
UK

[info@eurosystems.co.uk](mailto:info@eurosystems.co.uk)  
[www.eurosystems.co.uk](http://www.eurosystems.co.uk)

Tel: +44 (0) 845 075 1050

 **Euro Systems**<sup>®</sup>

*Design with Passion*

