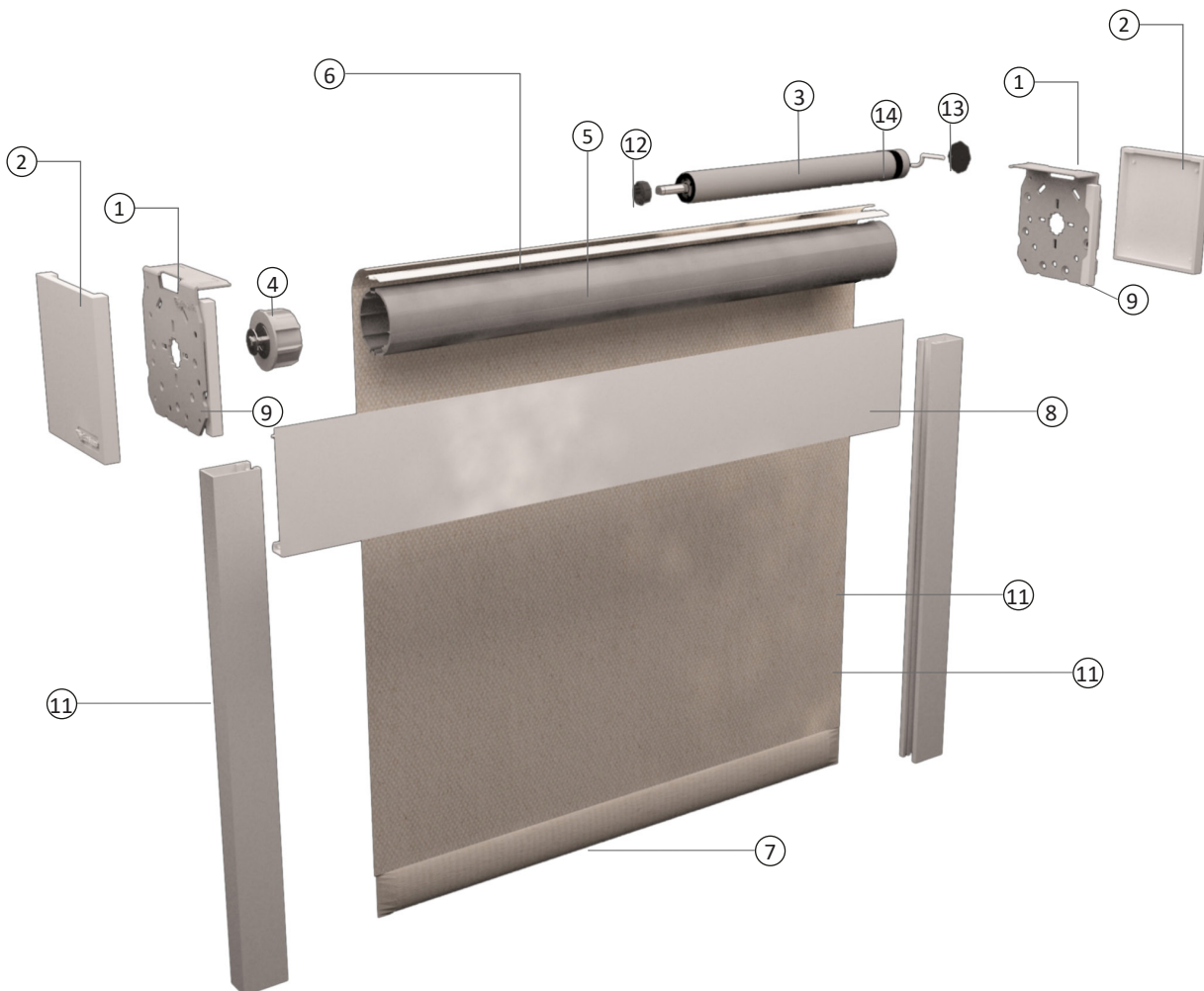


Serena® 100-SG

Motorized roller system with side guide

Key Features :

- Heavy duty VRS 230 VAC or SMI 230 VAC / 24 VDC motor installed within the roller blind tube
- Up to 20 m² blind with a single motor system
- The zipper channel stabilizes the roller blind
- Built in auto stop mechanism for the upper and lower limit setting
- Robust anti-deflection duty 47 mm diameter tube
- Aesthetic end caps
- Aesthetic aluminum fascia available as option
- Face, Top or wall fixing options



- | | | | |
|----------------------|--------------------|-------------------|-----------------|
| 1. Mounting brackets | 5. Tube | 9. Fascia support | 13. Crown wheel |
| 2. Bracket cover | 6. Mounting spline | 10. Fabric | 14. Motor plate |
| 3. Motor | 7. Hem bar | 11. Side guide | |
| 4. End plug | 8. Optional fascia | 12. Shat adapter | |