



Hand Operated Curtain Track System

1280



Hand Operated Curtain Track System 1280

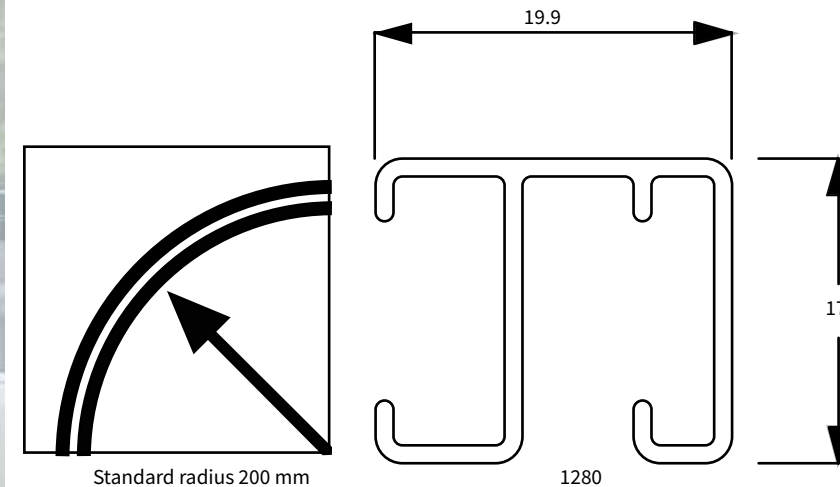
Specification

- Versatile hand operated curtain track system for contract and domestic applications
- Patented roller gliders glide on rim of front channel with very little friction for smooth and easy operation
- Easy wall or ceiling fixing
- Can be bent



Specification

Profile, Bending and Specification Information

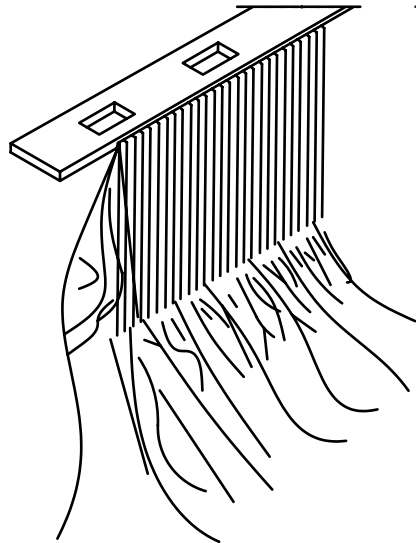


The standard radius is recommended for optimal operation. The minimum possible radius is 150 mm.

Silent Gliss 1280 hand drawn curtain track in white powder-coated aluminium. Use roller gliders at 10/m, fix to wall with brackets, ceiling with brackets every 300 mm. Fit end-covers.

Suitable Headers

Pencil Pleat



Pencil pleat curtains are a classic. Folds of fabric are tightly gathered to create a semi-cylindrical heading that resembles a line of pencils.

Pencil pleat curtains have a very traditional feel, so tend to fit in perfectly with more classic interior styles and in cottages or older properties. Pencil pleat curtains are very popular in living rooms, dining rooms and bedrooms.

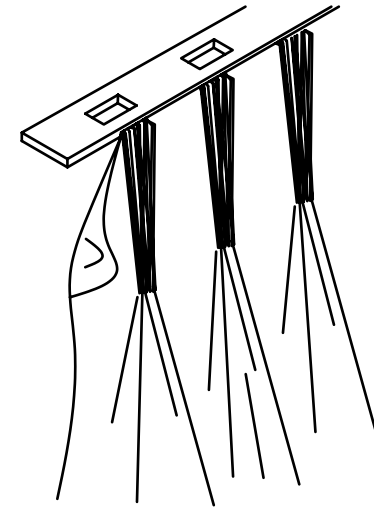
Fullness

Minimum
200%

Standard
250%

Maximum
300%

Pinch Pleat



Pinch pleat draperies has been the most popular header style for decades due to their high insulation value as a result of the additional fabric within the treatment.

A pinch pleat drapery has an elegant look yet the formal style for a variety of fullness and can be used with most track systems. The drapery fullness is “pleated” into the drapery by creating a three layered fold that is stitched together approx. 10 mm below the “fingers”.

Fullness

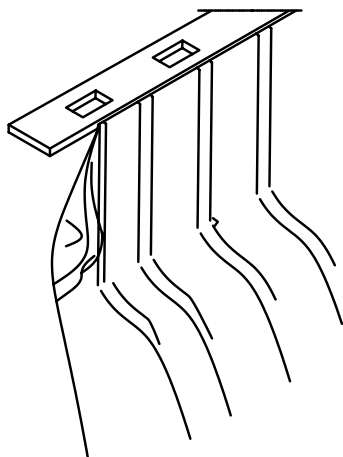
Minimum
250%

Standard
300%

Maximum
350%

Suitable Headers

Inverted Box Pleat



Inverted pleat curtains have a single pleat at the back, sometimes called a box pleat, placed at even intervals along the top. The overall look is beautiful and quite formal.

The header style brings a unique sense of style to the window. The width of the pleat is custom made and often uses more fabric than other header styles. For a more professional finish these headings can be made by hand. As the finished width is critical, but not easily adjusted we recommend that the width of the pleats and spaces are worked out before the curtains are made.

Fullness

Minimum
300%

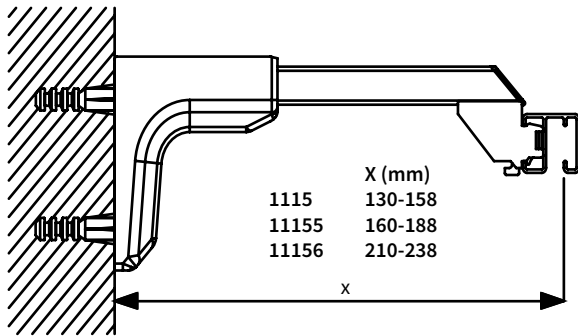
Standard
350%

Maximum
400%

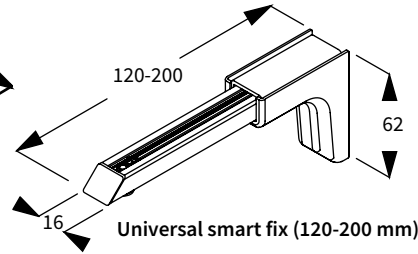
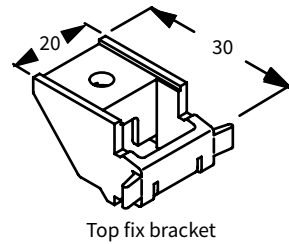


Fitting Information

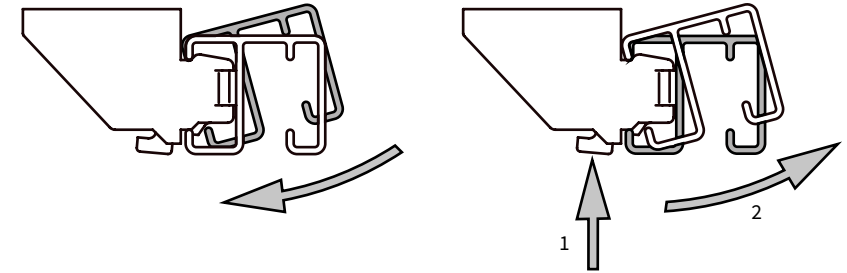
Wall fitting with Universal Smart Fix and bracket



Brackets feature thread for screw (M4x12) for fixing bracket

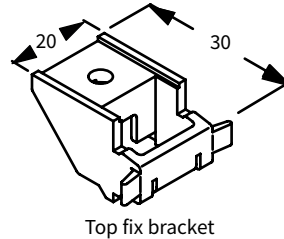
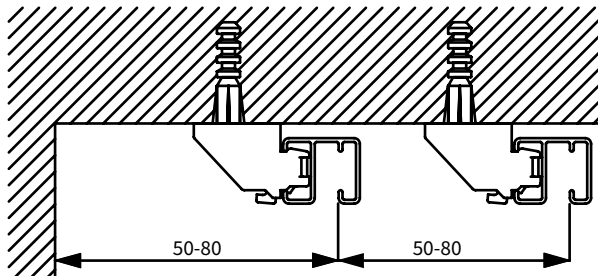


Bracket positioning and fixing with universal brackets



Installation: Roll track onto bracket in direction indicated
Removal: 1. Press to release 2. Rotate forward for removal

Ceiling fix with bracket



The final distances may be outside of the recommendations above depending on curtain heading, make-up and any obstructions.





Scan code to view on
Smartphone or Tablet device

UNITED KINGDOM
Euro Systems UK Ltd.
Unit 11 Chancel Industrial park
Newhall Street, Willenhall
WV13 1NX
UK

info@eurosystems.co.uk
www.eurosystems.co.uk

Tel: +44 (0) 845 075 1050

 **Euro Systems®**
Design with Passion

